

THIS DRAWING IS UNPUBLISHED.

RELEASED FOR PUBLICATION

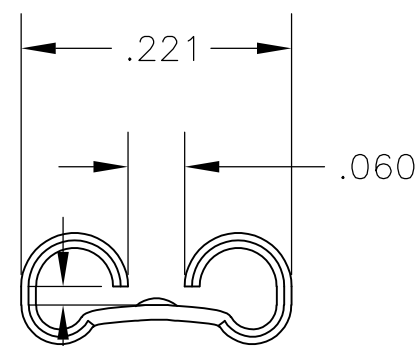
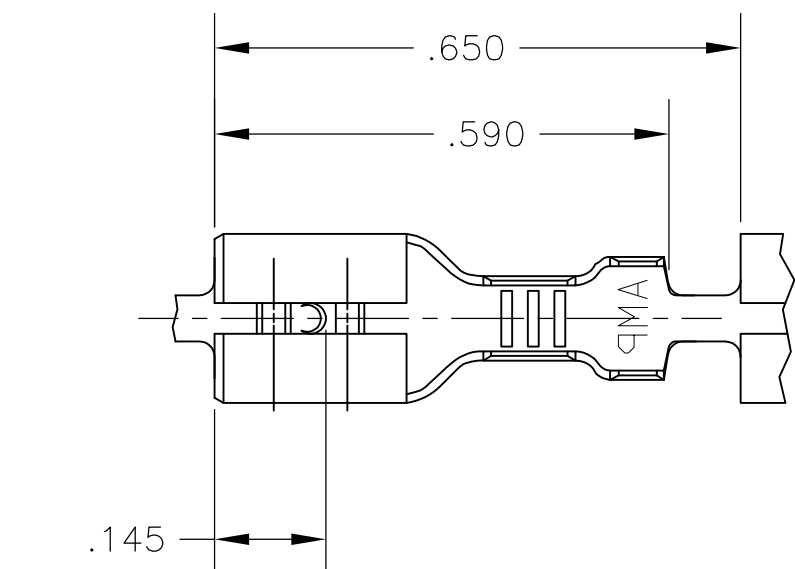
ALL RIGHTS RESERVED.

LOC AF DIST 50

REVISIONS

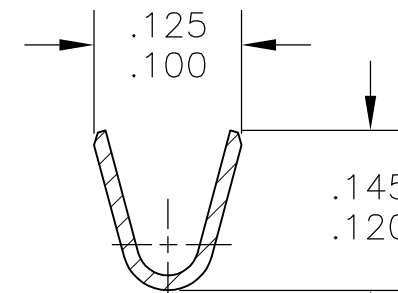
P	LTR	DESCRIPTION	DATE	DWN	APVD
	AG	REVISED PER ECR-12-013445	18OCT12	KH	PD

1 CONTINUOUS STRIP ON REELS.

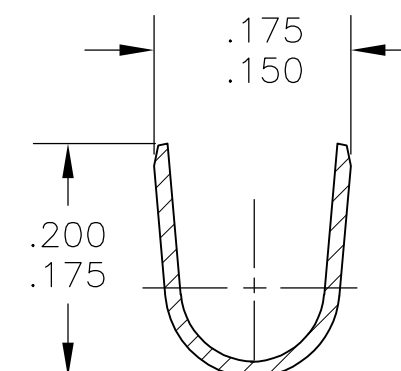


FITS .187 SERIES FASTON TAB

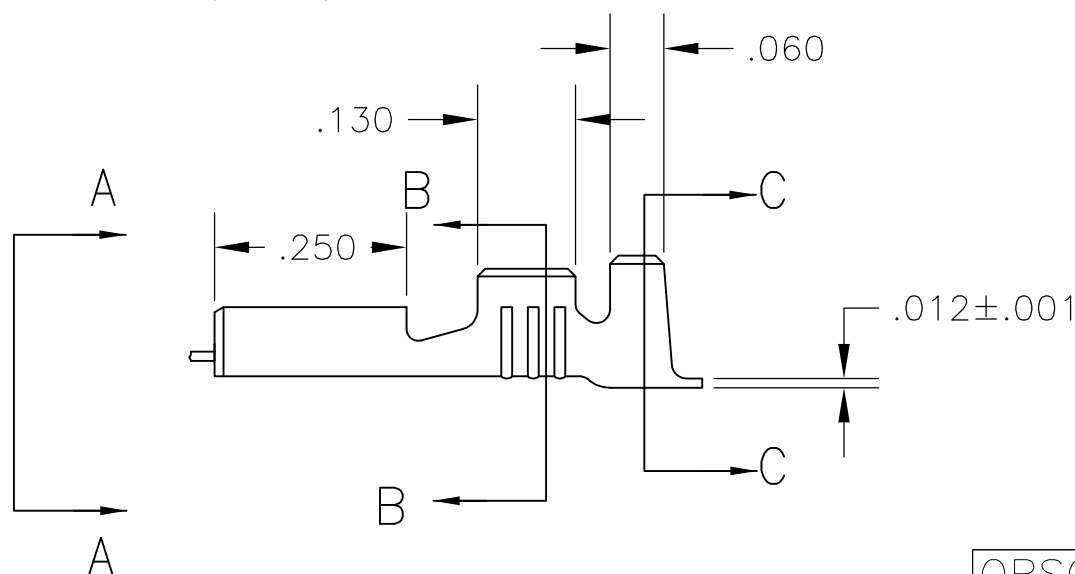
VIEW A-A



SECTION B-B



SECTION C-C



	TIN	#4H PH BRZ	.090-.130	20-16	.020 ±.001	42452-5
OBSOLETE	SILVER	#4H PH BRZ	.090-.130	20-16	.020 ±.001	42452-4
OBSOLETE	SILVER	#4H BRASS	.090-.130	20-16	.020 ±.001	42452-3
	TIN	BRASS	.090-.130	20-16	.020 ±.001	42452-2
	--	BRASS	.090-.130	20-16	.020 ±.001	42452-1
	FINISH	MATERIAL	INSULATION RANGE	WIRE SIZE	MATING TAB THK.	PART NO.

THIS DRAWING IS A CONTROLLED DOCUMENT.

DWN JR RUTH 10/3/86

CHK G YETTER 10/3/86

APVD R KUZO 10/8/86

PRODUCT SPEC

APPLICATION SPEC

WEIGHT -

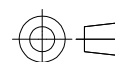
STE TE Connectivity

RECEPTACLE, FASTON, .187 SERIES

SIZE	CAGE CODE	DRAWING NO	RESTRICTED TO
A3	00779	C-42452	-

DIMENSIONS: INCHES

TOLERANCES UNLESS OTHERWISE SPECIFIED:



0 PLC	± -
1 PLC	± -
2 PLC	± -
3 PLC	± .015
4 PLC	± -
ANGLES	± -

MATERIAL SEE ABOVE FINISH SEE ABOVE

CUSTOMER DRAWING

SCALE NTS SHEET 1 OF 1 REV AG